



Welcome to **Nordan Marine A/S**

Nordan Marine Spare parts for pump type CG for:

- Hamworthy Pump
- Thune Eureka Pump
- Kværner Eureka Pump
- Wärtsilä Pump

Your partner in Marine and Offshore Pumps

Nordan Marine is a specialist supplier of EUREKA centrifugal replacement pumps and spare parts for Thune Eureka, Kværner Eureka, Hamworthy and Wärtsilä centrifugal pumps. With more than 30 years of experiences with these pumps, we know all the details, which ensure that our customers are guaranteed to receive the correct parts.

We work directly with manufactures and carry a large stock of common spare parts. Nordan Marines' spare parts are guaranteed against faults in material, workmanship for three month and for new complete pumps for one year.

In addition, we supply also spare parts for Desmi, Svanehøj, as well as spare parts for Cargo pump system and Safety Valve.

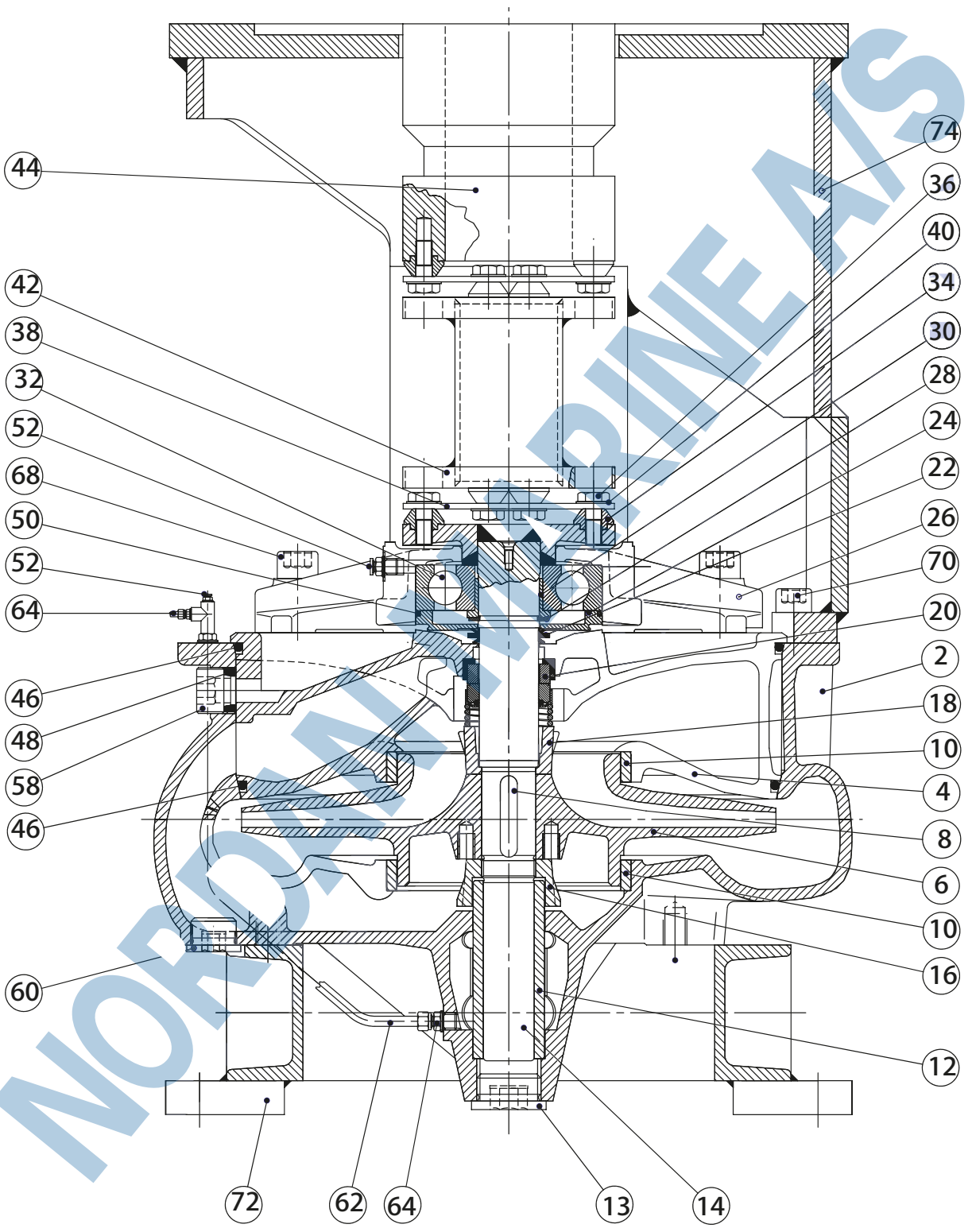
Our experienced service engineers travel around the world on 24 hours basis. They provide full range of services to Deepwell pump, Booster pump, Ballast pump and Safety Relief Valve for Gas Carriers such as LNG, LPG and LEG tankers, Chemical tankers and product tankers.

Our **objective** is to offer our customers the best services and solutions at very competitive prices, and to be first choice brand for total Cargo and Engine Room pumps' service solutions.

Spare parts catalog for CG Pumps:

Hamworthy, Thune Eureka, Kværner Eureka CGA 50	V48/84 AAN - BAN - FAN
Hamworthy, Thune Eureka, Kværner Eureka CGA 65	V48/84 AAN - BAN - FAN
Hamworthy, Thune Eureka, Kværner Eureka CGB 80	V48/84 AAN - BAN - FAN
Hamworthy, Thune Eureka, Kværner Eureka CGB 100	V48/84 AAN - BAN - FAN
Hamworthy, Thune Eureka, Kværner Eureka CGC 125	V48/84 AAN - BAN - FAN
Hamworthy, Thune Eureka, Kværner Eureka CGD 200	V48/84 AAN - BAN - FAN
Hamworthy, Thune Eureka, Kværner Eureka CGD 250	V48/84 AAN - BAN - FAN
Hamworthy, Thune Eureka, Kværner Eureka CGE 300	V48/84 AAN - BAN - FAN
Hamworthy, Thune Eureka, Kværner Eureka CGE 350	V48/84 AAN - BAN - FAN

CG Pump - Sectional Drawing



CG Pump spare parts



Pump Casing
Pos 2



Pump Cover
Pos 4



Impeller
Pos 6



Shaft Key
Pos 8



Wear Ring
Pos 10



Bearing Bush
Pos 12



Bearing Plug
Pos 13



Pump Shaft
Pos 14



Shaft Nut
Pos 16



Bearing Cover
Pos 24



Distance Ring
Pos 18



Bearing Housing
Pos 26



Mechanical Seal
Pos 20



Circlip
Pos 28



Grease Seal
Pos 22



Bearling Sleeve
Pos 30



Ball-Bearing
Pos 32



Bobbin
Pos 34



Coupling Bolt
Pos 36



Coupling Disc
Pos 38



Coupling Lock
Pos 40



Proppeller Shaft
Pos 42



Motor Coupling
Pos 44

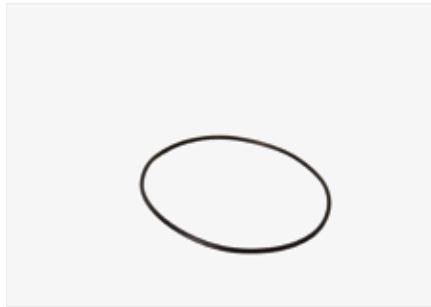


O-ring
Pos 46

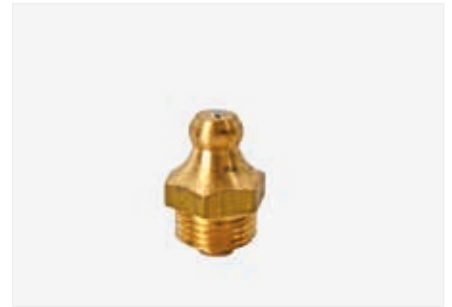
CG Pump spare parts



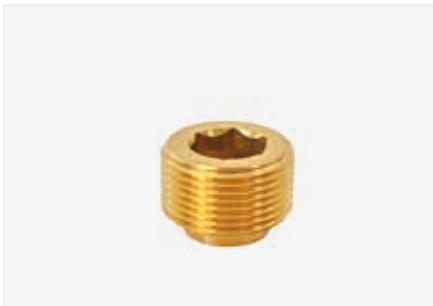
Seal
Pos 48



O-ring
Pos 50



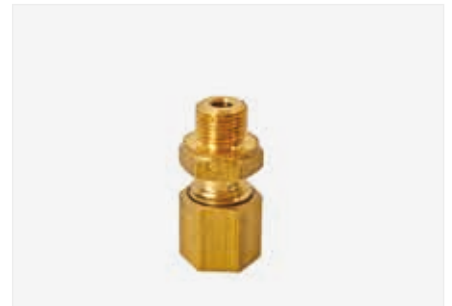
Lubricating Nippel
Pos 52



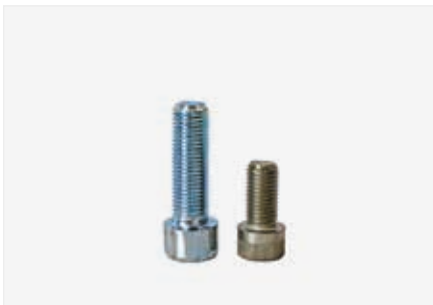
Drain Plug
Pos 58



Bearing Plug
Pos 60



Pipe Nippel
Pos 64



Lock Screw / Socket Head Screw
Pos 60/70

Repair Seal Kit and overhaul Kit for CG Pump

Repari Seal Kit

Nordan Marine Repair Seal Kits consists of all seals, o-rings, gaskets, ball bearings and mechanical seals.



Repair Seal Kit for EUREKA pump type CGC 150

Overhaul Kits

Nordan marine Overhaul Kits consists of pump shaft complete with keys and nut, shaft sleeves, distance rings, wear rings, coupling bolts complet, all seals, o-rings, gaskets, ball bearings and mechanical seals.



Overhaul Kits for EUREKA pump type CGA 65



Contact us:

Denmark

Nordan Marine A/S
Industrivej 11
9900 Frederikshavn
Denmark

Phone: +45 9840 2440 (24 hrs)
Fax: +45 9840 2441

Norway

Nordan Marine AS
Skogliveien 4
N-3047 Drammen
Norway

Phone: +47 4061 6140

E-mail: sales@nordanmarine.com
E-mail: service@nordanmarine.com

www.nordanmarine.com